

LED HORTICULTURAL LUMINAIRES

LEDZW004A



LEDZW004A

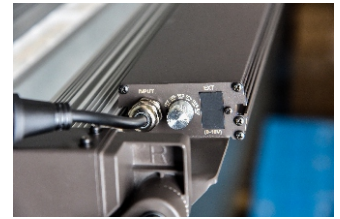
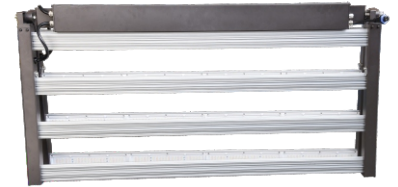
APPLICATIONS

Use in supplement light for plant growth, suitable for **tomato, cucumber, pepper, cannabis, rose and other plant**, application in indoor supplement light, the place with short outdoor lighting time and insufficient light

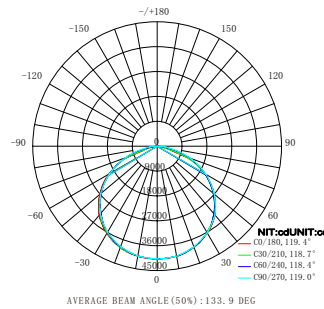
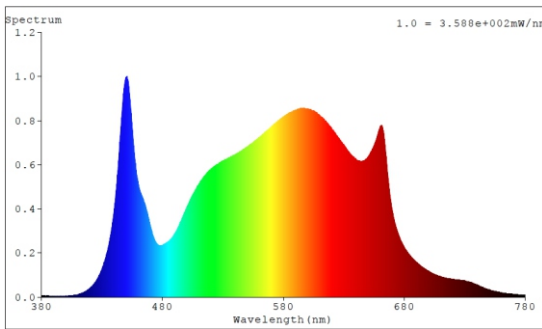


SPECIFICATION FEATURES

1. All adopt superior stainless steel nuts.
2. Die-casting shell brings perfect heat dissipation, Simple&perfect appearance.
3. Aluminum PCB with high thermal conductivity as chip carrier for faster cooling.
4. With full spectrum Samsung chip, red/blue ratio 90/10, 87.5/12.5, 85/15, 80/20 optional, High efficiency over 2.5μmol/s/w .
5. Energy-efficient, about double to triple of the metal lamp or the sodium lamp.
6. LED driver model Mean well, Inventr. Led grow light generates less heat, avoids the damage to plant caused by generated high temperature, could use more closer to plant, improves the utilization rate of light, and reduces ambient temperature.
7. APP Intelligent Control, ZigBee supports up to 128 device connections.
8. Tear open outfit is convenient.



OPTICS PARAMETER



PAR table of different installation height

LEDZW004A 480W

number	12in	16in	20in	24in	28in	32in	36in	39in
1	230	165	164	161	154	143	134	125
2	364	300	271	253	223	201	180	161
3	380	354	301	274	260	219	198	179
4	338	337	282	255	238	204	189	169
5	192	212	182	162	154	142	135	127
6	318	258	237	231	209	187	170	153
7	553	461	401	354	314	289	236	205
8	581	520	458	401	354	302	262	226
9	515	436	415	359	315	270	235	204
10	278	310	274	254	216	203	171	159
11	290	280	285	247	223	202	179	158
12	371	494	437	391	344	293	256	221
13	618	557	492	434	385	327	283	243
14	560	525	452	396	349	295	261	223
15	310	318	288	266	228	203	193	167
16	306	264	252	230	214	192	164	148
17	532	468	413	359	313	265	233	201
18	583	517	449	393	350	295	255	218
19	356	270	248	214	210	194	182	146
20	392	270	247	214	210	194	182	146
21	184	175	162	155	147	139	120	113
22	328	280	265	233	219	192	171	149
23	365	323	272	249	244	213	195	163
24	336	288	264	237	220	196	176	153
25	175	167	171	161	157	153	148	129
合计PAR	9823	8811	7820	7016	6356	5588	4966	4347
PAR效率	20.46438	18.35625	16.29167	14.61667	13.24167	11.64167	10.34583	9.05625

height	4x4ft								
	3x3ft		2x2ft		1x1ft		0.5x0.5ft		
12"	230	302	364	372	390	359	338	285	192
16"	166	226	271	286	301	292	282	232	162
20"	164	218	271	286	301	292	282	232	162
24"	161	207	253	264	274	265	255	209	162
28"	164	180	229	232	240	249	238	196	154
32"	143	172	201	210	219	212	204	173	142
36"	134	161	189	198	206	198	190	162	138
39"	125	143	161	170	179	174	169	148	127
42"	318	330	353	362	361	362	343	311	278
45"	211	225	241	244	241	241	225	210	176
48"	237	219	401	430	458	437	413	345	274
51"	255	255	304	310	321	320	305	257	234
54"	299	282	314	334	354	336	318	267	236
57"	197	209	236	246	256	252	238	207	208
60"	170	203	230	249	262	250	238	208	171
63"	183	179	205	216	226	218	209	184	159
66"	208	185	211	205	215	202	190	168	138
69"	200	187	214	208	217	211	201	172	149
72"	266	262	327	465	482	472	452	370	286
75"	217	219	261	313	315	311	311	251	206
78"	223	284	344	365	385	387	349	299	228
81"	262	298	365	319	327	314	296	249	208
84"	179	218	256	270	283	272	261	227	193
87"	158	190	221	232	243	233	223	185	167
90"	306	313	332	358	383	370	356	314	282
93"	244	255	269	305	317	315	315	255	216
96"	282	333	413	431	449	427	405	326	247
99"	226	255	309	376	395	370	358	291	216
102"	214	264	313	332	350	332	313	251	202
105"	192	239	285	289	295	282	269	232	194
108"	164	199	233	244	258	246	237	210	182
111"	148	175	201	210	218	210	202	174	146
114"	184	210	228	237	243	241	236	206	176
117"	211	229	249	258	265	264	258	219	181
120"	162	214	265	269	272	268	264	218	171
123"	151	184	219	232	244	232	220	189	157
126"	169	181	192	203	213	205	196	159	130
129"	120	146	171	183	195	186	176	162	148
132"	113	131	149	156	163	168	153	141	129



UNIVERSELITE CO., LTD.

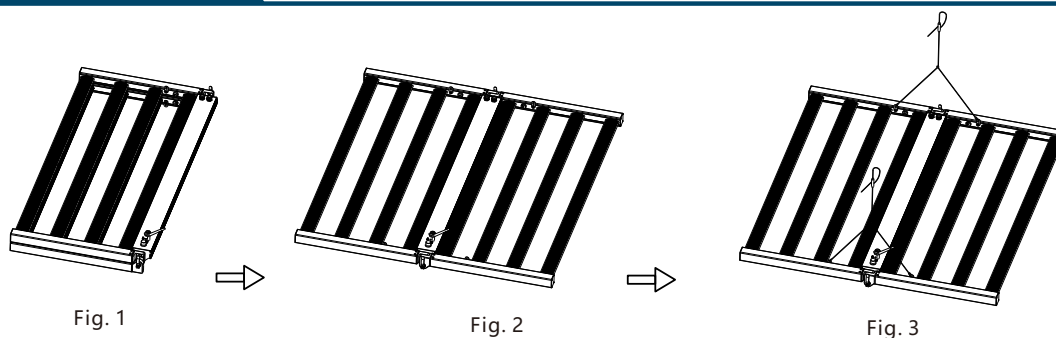
Email: info@universelite.com Website: www.universelite.com
 KUALI CUN INDUSTRIAL ZONE, PINGSHUI TOWN, SHAOXING COUNTY, ZHEJIANG PROVINCE, CHINA ZIP : 312051

Horticultural Luminaires 004 Parameter table

Item description	LEDZW480W004A	LEDZW630W004A	LEDZW800W004A	LEDZW960W004A
Input voltage [Vac]	100-277/347/480Vac	100-277/347/480Vac	100-277/347/480Vac	100-277/347/480Vac
Input current [A]	2.18@220V	2.86@220V	3.82@220V	4.36@220V
Input wattage [W]	480±10%	630±10%	840±10%	960±10%
Input frequency [Hz]	50/60	50/60	50/60	50/60
Power factor	≥0.96@220V	≥0.96@220V	≥0.96@220V	≥0.96@220V
Voltage [V]	36V	36V	36V	36V
Current(reference) [A]	12.2	16.1	22.2	24.5
Wattage(reference) [W]	440±10%	580±10%	730±5%	880±5%
Luminous flux [Lm]	72000	94500	120000	144000
Colour temperature [K]	2700-5700	2700-5700	2700-5700	2700-5700
Colour rendering index [Ra]	87	87	87	87
Flux of emitted photons [umol/s]	1296+	1700+	2080+	2400+
PPFD [PAR]	392(H30cm)	484(H30cm)	617(H30cm)	692(H30cm)
Beam Angle [L,V]	120°			
LED chip	SAMSUNG 2835			
Average life [h]	50000			
Colour	R20% G76.5%, B3.5% @3800K			
Net weight	15.5Kg			
Environment	WET			
Storage Environment	-40°C-85°C RH10%-95%			
Ambient temperature [°C]	-25°C-40°C			

PPF optional: 2.5µmol/s/w, 2.6µmol/s/w, 2.7µmol/s/w, 2.8µmol/s/w, 2.9µmol/s/w.

INSTALLATION



- Step 1: Take out the whole light and hanging rope(2pcs).(Fig. 1)
 Step 2: Open and keep it on a clean surface, then fastened the clasp.(Fig.2)
 Step 3: Replace the electronic box in the middle, fasten the bolt.
 Step 4: Fasten hanging rope E to the holes at the both sides of light, and fix installation end to the load-bearing body, then adjust installation height through F.(Fig.3)